



US010820675B2

(12) **United States Patent**
Dining et al.

(10) **Patent No.:** **US 10,820,675 B2**

(45) **Date of Patent:** **Nov. 3, 2020**

(54) **PROTECTIVE CASE FOR PORTABLE ELECTRONIC DEVICE**

(71) Applicants: **Elizabeth Joy Dining**, Boulder, CO (US); **Erin Joy Watt**, Boulder, CO (US); **Zachary Conrad**, Denver, CO (US); **Cameron James Brown**, Vail, CO (US); **Jeremy Kerbs**, Westminster, CO (US)

(72) Inventors: **Elizabeth Joy Dining**, Boulder, CO (US); **Erin Joy Watt**, Boulder, CO (US); **Zachary Conrad**, Denver, CO (US); **Cameron James Brown**, Vail, CO (US); **Jeremy Kerbs**, Westminster, CO (US)

(73) Assignee: **JEFFERSON STREET HOLDINGS LLC**, Boulder, CO (US)

(*) Notice: Subject to any disclaimer, the term of this patent is extended or adjusted under 35 U.S.C. 154(b) by 0 days.

(21) Appl. No.: **16/128,808**

(22) Filed: **Sep. 12, 2018**

(65) **Prior Publication Data**

US 2019/0008250 A1 Jan. 10, 2019

Related U.S. Application Data

(63) Continuation of application No. 15/291,985, filed on Oct. 12, 2016, now Pat. No. 10,327,524, which is a (Continued)

(51) **Int. Cl.**

A45C 11/00 (2006.01)
A45F 5/00 (2006.01)
H04B 1/3888 (2015.01)

(52) **U.S. Cl.**

CPC **A45C 11/00** (2013.01); **A45F 5/00** (2013.01); **H04B 1/3888** (2013.01); **A45C 2011/002** (2013.01); **A45C 2011/003** (2013.01)

(58) **Field of Classification Search**

CPC **A45C 11/00**; **A45C 2011/002**; **A45C 2011/003**; **A45F 5/00**; **H04B 1/3888**
(Continued)

(56) **References Cited**

U.S. PATENT DOCUMENTS

D107,221 S 11/1937 Dewsbury
D331,922 S 12/1992 Gloton
(Continued)

FOREIGN PATENT DOCUMENTS

CA 2977522 C 2/2019
EP 3261947 1/2018
WO 2016138134 A1 9/2016

OTHER PUBLICATIONS

Complaint concerning infringement of patent U.S. Pat. No. 9,480,319. *Jefferson Street Holdings Intellectual Property LLC v. Seidio*. Civil Action No. 5:18-cv-110. U.S. District Court for the S.D. of TX. Aug. 3, 2018.

(Continued)

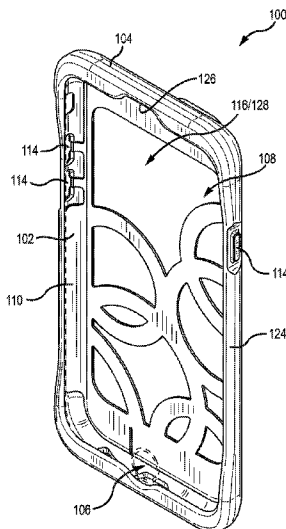
Primary Examiner — Rafael A Ortiz

(74) *Attorney, Agent, or Firm* — FisherBroyles LLP; Ian R. Walsworth

(57) **ABSTRACT**

A case for an electronic device includes a panel having a plurality of turned edges. Certain of the plurality of turned edges comprise different heights that may expose certain elements or portions of the corresponding electronic device. The panel may further comprise an opening for exposing a speaker, microphone, camera, audio jack, button, tab or other element of the electronic device.

39 Claims, 17 Drawing Sheets



Related U.S. Application Data

continuation of application No. 15/043,227, filed on Feb. 12, 2016, now Pat. No. 9,480,319, which is a continuation of application No. 14/632,927, filed on Feb. 26, 2015, now Pat. No. 9,300,768.

(58) **Field of Classification Search**

USPC 206/320, 724, 45.2, 45.24; 455/90.3
See application file for complete search history.

(56)

References Cited

U.S. PATENT DOCUMENTS

D501,849	S	2/2005	Widiaman et al.	
D508,182	S	8/2005	Colonello	
D524,806	S	7/2006	Eguchi	
D574,836	S	8/2008	Koh et al.	
D575,056	S	8/2008	Tan	
D593,635	S	6/2009	Fitzpatrick et al.	
D606,525	S	12/2009	Chen et al.	
D606,530	S	12/2009	Ferrari	
D606,533	S	12/2009	de Jong et al.	
D607,445	S	1/2010	Ferrari et al.	
D616,429	S	5/2010	Nuovo	
D632,682	S	2/2011	Fahrendorff et al.	
D634,313	S	3/2011	Fitzpatrick et al.	
D641,347	S	7/2011	Fathollahi	
D646,672	S	10/2011	Fathollahi	
D654,043	S	2/2012	Pan et al.	
D655,699	S	3/2012	Bau	
D666,585	S	9/2012	Zheng et al.	
D668,660	S	10/2012	Norfolk	
D671,928	S	12/2012	Li	
D671,932	S	12/2012	Azoulay	
D674,801	S	1/2013	Wharram	
D685,360	S	7/2013	Chen et al.	
D685,776	S	7/2013	Bau	
D685,785	S	7/2013	Seoc et al.	
D687,427	S	8/2013	Peterson	
D689,851	S	9/2013	Chang et al.	
D703,648	S	4/2014	Magness et al.	
D704,684	S	5/2014	Yeh et al.	
D706,256	S	6/2014	Ward et al.	
D707,683	S	6/2014	Nam-Su	
D708,895	S	7/2014	Hoyord et al.	
D710,345	S	8/2014	Chang	
D712,389	S	9/2014	Namminga	
D713,831	S	9/2014	Kim et al.	
D716,280	S	10/2014	Macrina et al.	
D718,290	S	11/2014	Whitten et al.	
D723,017	S	2/2015	Song	
D724,596	S	3/2015	Sirichai	
D725,116	S	3/2015	Li	
D726,169	S	4/2015	Powell et al.	
D733,154	S	6/2015	Armstrong et al.	
D735,174	S	7/2015	Wengreen	
D735,184	S	7/2015	Lee et al.	
D737,522	S	8/2015	Lavigne et al.	
D742,868	S	11/2015	Odhwani et al.	
D742,869	S	11/2015	Odhwani et al.	
9,300,768	B1	3/2016	Watt et al.	
D755,188	S	5/2016	Burmester	
9,399,316	B2	7/2016	Chang	
D764,451	S	8/2016	Hung et al.	
D765,638	S	9/2016	Gaylord et al.	
9,480,319	B2	11/2016	Dining et al.	
2009/0080153	A1	3/2009	Richardson et al.	
2009/0230161	A1*	9/2009	Emsky	A45C 11/00 224/257
2010/0113111	A1	5/2010	Wong et al.	
2011/0228458	A1	9/2011	Richardson et al.	
2012/0294469	A1	11/2012	Weaver, III	
2012/0325882	A1	12/2012	Tages et al.	
2013/0292269	A1	11/2013	Tages	
2013/0292378	A1	11/2013	Tages	

2014/0078671	A1	3/2014	Hong	
2014/0216973	A1*	8/2014	Chang	B65D 81/022 206/521
2014/0315603	A1	10/2014	Fathollahi et al.	
2015/0194995	A1	7/2015	Fathollahi	
2015/0195938	A1*	7/2015	Witter	H05K 5/03 206/521
2015/0207911	A1	7/2015	Lin	
2016/0044148	A1	2/2016	Pizzo et al.	
2016/0249719	A1	9/2016	Dining	
2017/0034932	A1	2/2017	Rostami	

OTHER PUBLICATIONS

Rearth Ringke Slim Case for the iPhone 4/4s. <https://www.youtube.com/watch?v=23puVDvuT78>. Dec. 26, 2011.

Rearth Ringke Slim for Samsung Galaxy Nexus Case Review. <https://www.youtube.com/watch?v=XT5cgDUMZNw>. Feb. 19, 2012.

Early Adopter_Reviews, Galaxy S2 LTE Case Ringke Slim Ringke Slim CD Man. <http://cdmanii.com/2646>. Nov. 17, 2011. (Machine Translated from Korean).

Complaint concerning infringement of patent U.S. Pat. No. 9,480,319. *Jefferson Street Holdings Intellectual Property LLC v. Tech21 Inc.* Civil Action No. 5:18-cv-806. U.S. District Court for the W.D. of TX. Aug. 3, 2018.

Complaint concerning infringement of patent U.S. Pat. No. 9,480,319. *Jefferson Street Holdings Intellectual Property LLC v. Amzer Group Inc.* Civil Action No. 5:18-cv-111. U.S. District Court for the S.D. of TX. Aug. 3, 2018.

Amended complaint concerning infringement of patent U.S. Pat. No. 9,480,319. *Jefferson Street Holdings Intellectual Property LLC v. Tech21 UK Inc.* Civil Action No. 5:18-cv-806. U.S. District Court for the W.D. of TX. Nov. 2, 2018.

Complaint concerning infringement of patent U.S. Pat. No. 9,480,319. *Jefferson Street Holdings Intellectual Property LLC v. Rearth USA.* Civil Action No. 2:18-cv-338. U.S. District Court for the E.D. of TX. Aug. 3, 2018.

Office Action from CA2977522. dated Dec. 14, 2018. 3 pages.

Notice of Allowance from CA2977522. dated Jan. 16, 2019. 1 page.

Bouwmeester, "Did Spigen Just Unveil the Samsung Galaxy S6 Ahead of Samsung Unpacked?" TECHAERIS.com (<https://techaeris.com/2015/02/23/spigen-just-unveil-samsung-galaxy-s6-ahead-samsung-unpacked/>), Feb. 23, 2015, 3 pages.

U.S. Appl. No. 29/544,756, U.S. Pat. No. D790,524, Nov. 5, 2015.

U.S. Appl. No. 29/544,754, U.S. Pat. No. D790,523, Nov. 5, 2015.

U.S. Appl. No. 15/291,985, US 2017-0027293 A1, Oct. 12, 2016.

U.S. Appl. No. 14/632,927, U.S. Pat. No. 9,300,768, Feb. 26, 2015.

U.S. Appl. No. 29/544,757, U.S. Pat. No. D790,525, Nov. 5, 2015.

International Search Report and Written Opinion for International (PCT) Patent Application No. PCT/US16/19364, dated May 2, 2016 8 pages.

Notice of Allowance for U.S. Appl. No. 14/632,927, dated Nov. 25, 2015 15 pages.

Notice of Allowance for U.S. Appl. No. 15/043,227, dated Sep. 16, 2016. 11 pages.

Official Action for U.S. Appl. No. 14/632,927, dated Oct. 27, 2015 10 pages.

Official Action for U.S. Appl. No. 29/544,754, dated Feb. 7, 2017, 7 pages.

Official Action for U.S. Appl. No. 29/544,754, dated Sep. 26, 2016, 11 pages.

Official Action for U.S. Appl. No. 29/544,756, dated Feb. 6, 2017, 7 pages.

Official Action for U.S. Appl. No. 29/544,756, dated Sep. 26, 2016, 11 pages.

Official Action for U.S. Appl. No. 29/544,757, dated Feb. 3, 2017, 7 pages.

Official Action for U.S. Appl. No. 29/544,757, dated Sep. 26, 2016, 11 pages.

* cited by examiner

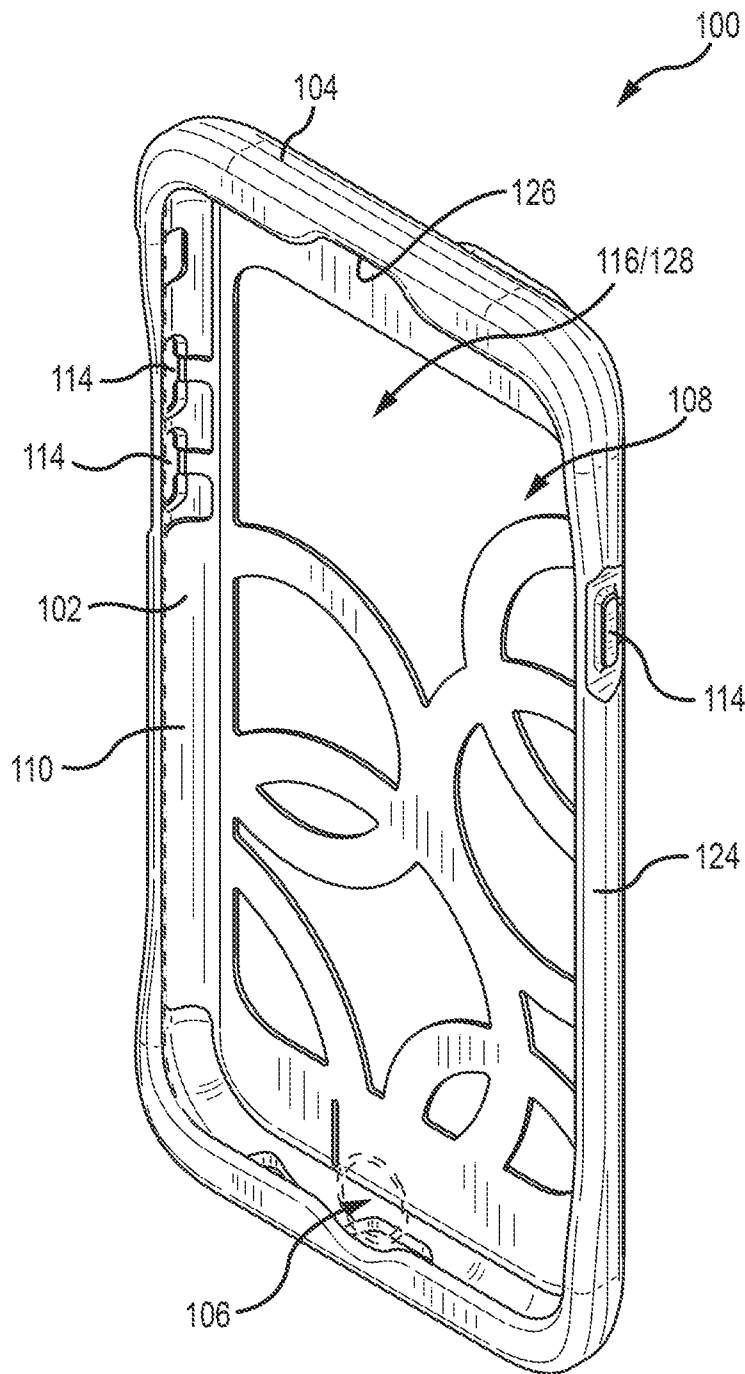


FIG. 1A

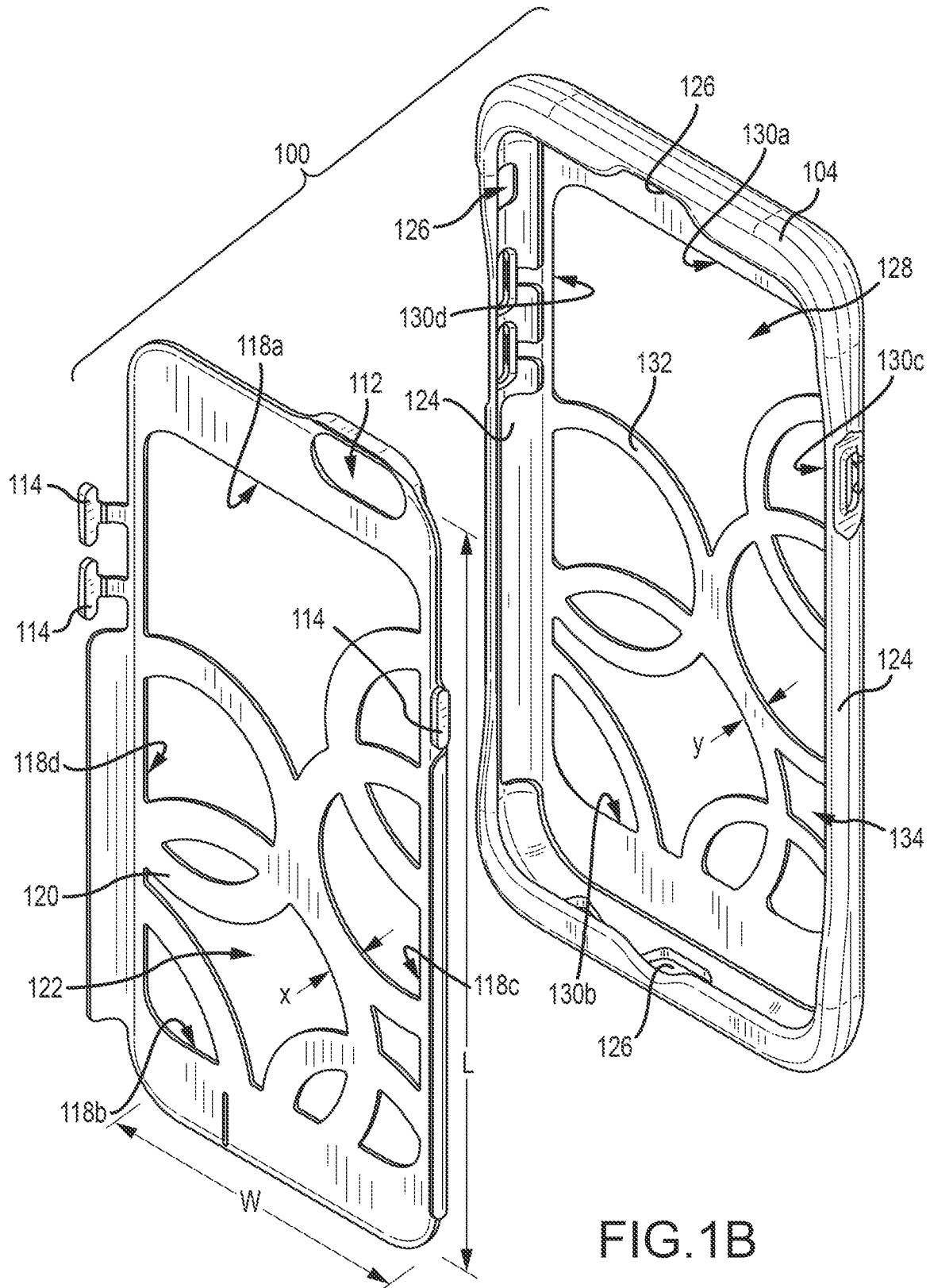


FIG. 1B

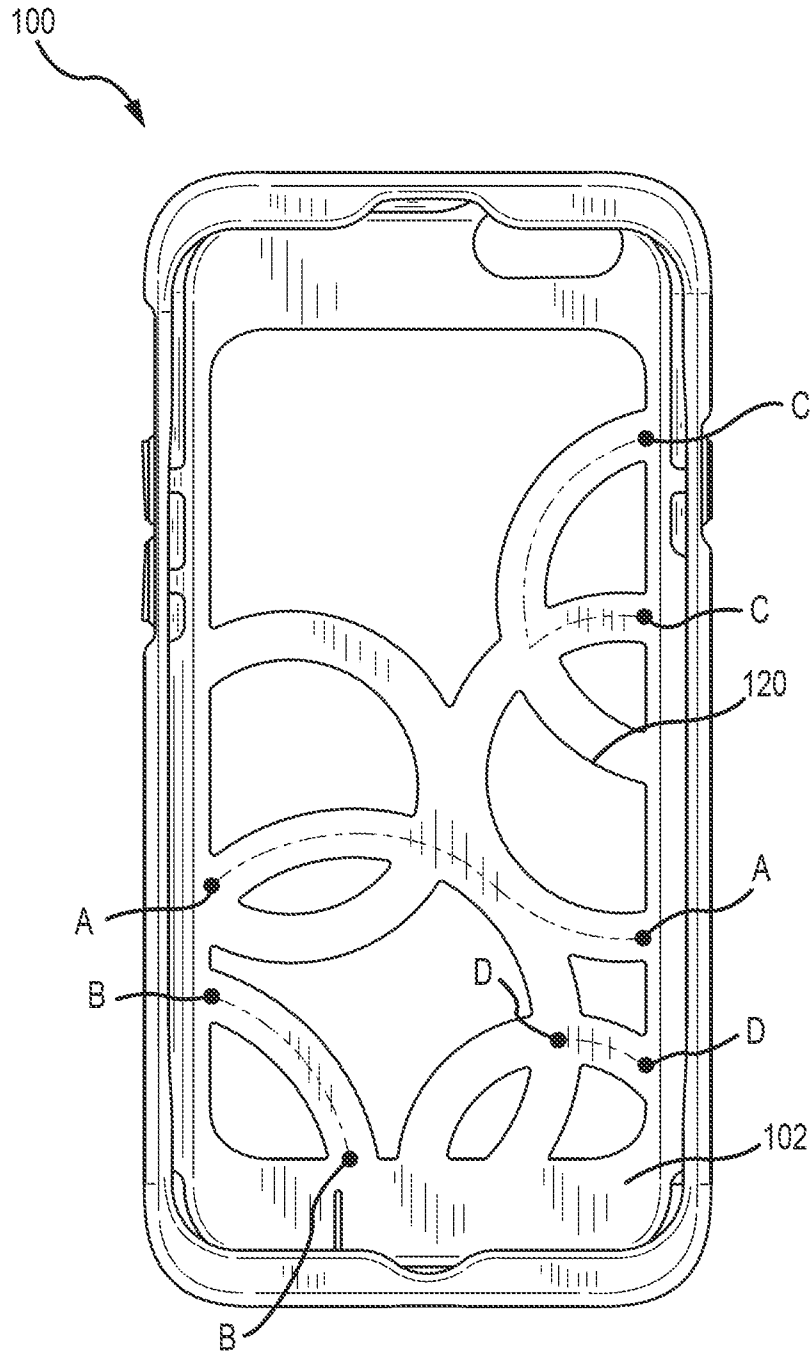


FIG.1C

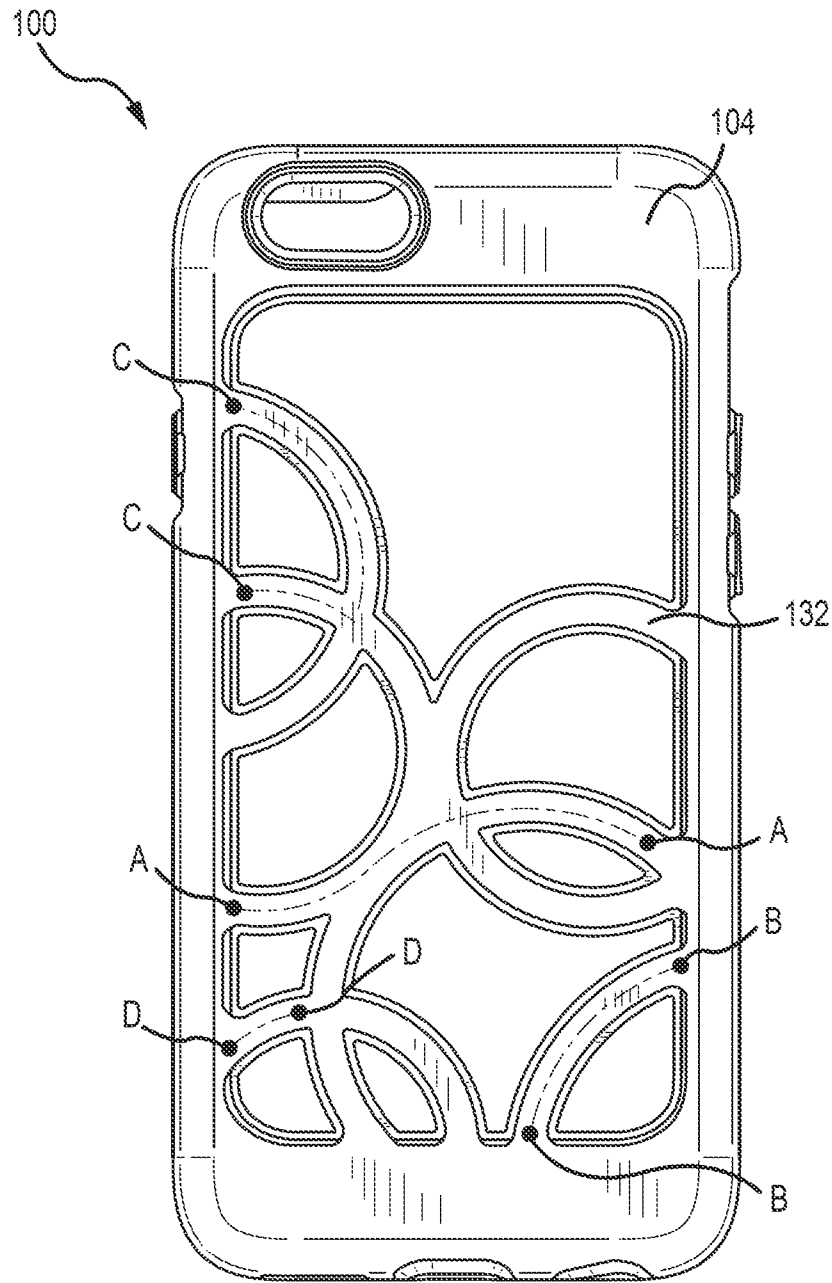


FIG.1D

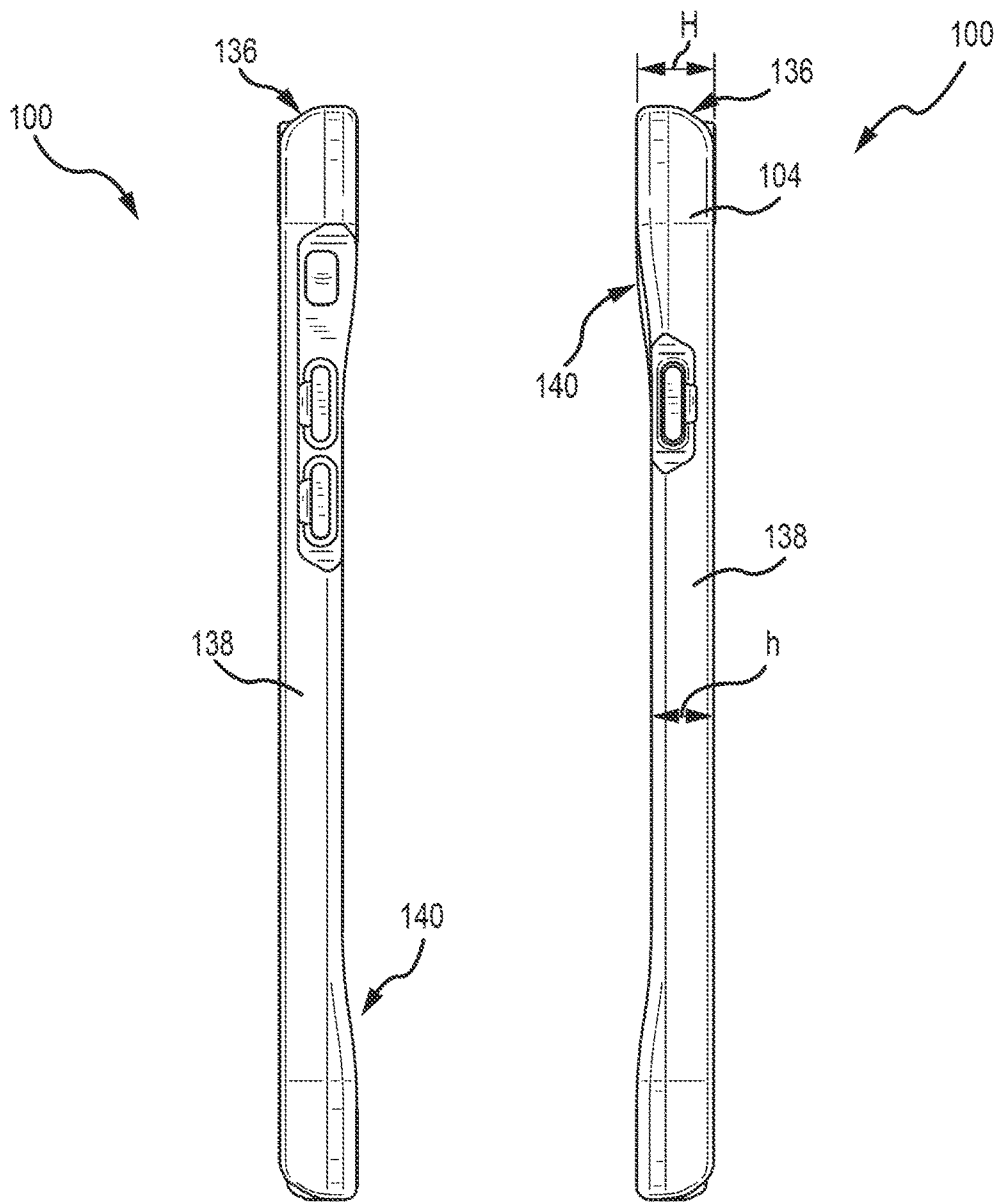


FIG. 1E

FIG. 1F

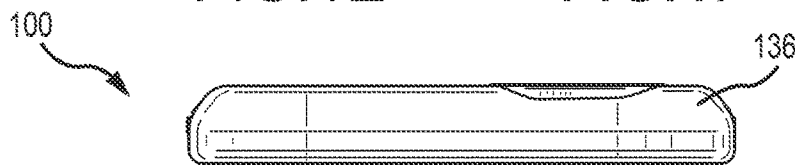


FIG. 1G

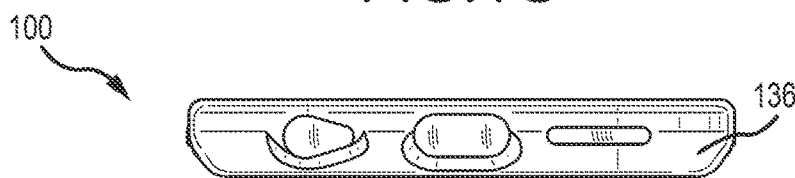


FIG. 1H

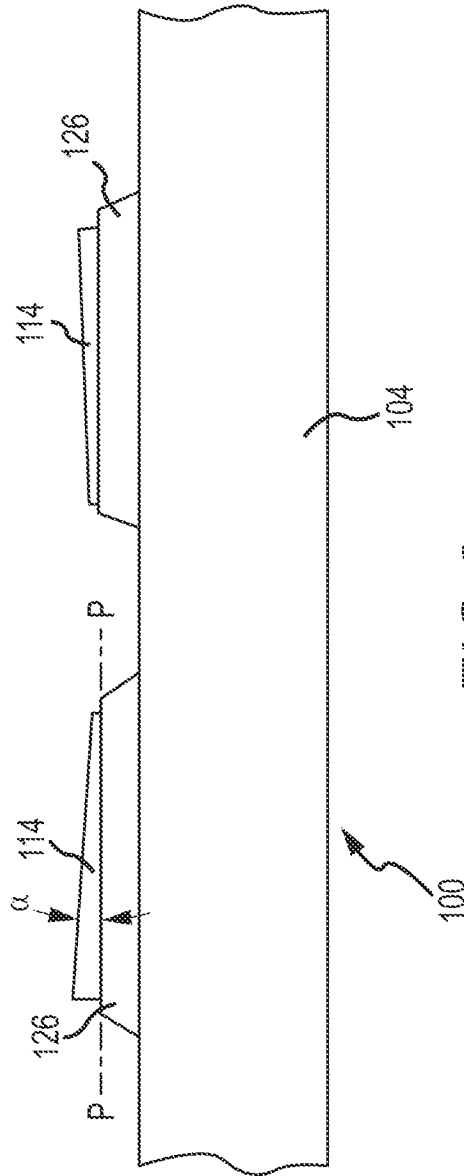


FIG. 2

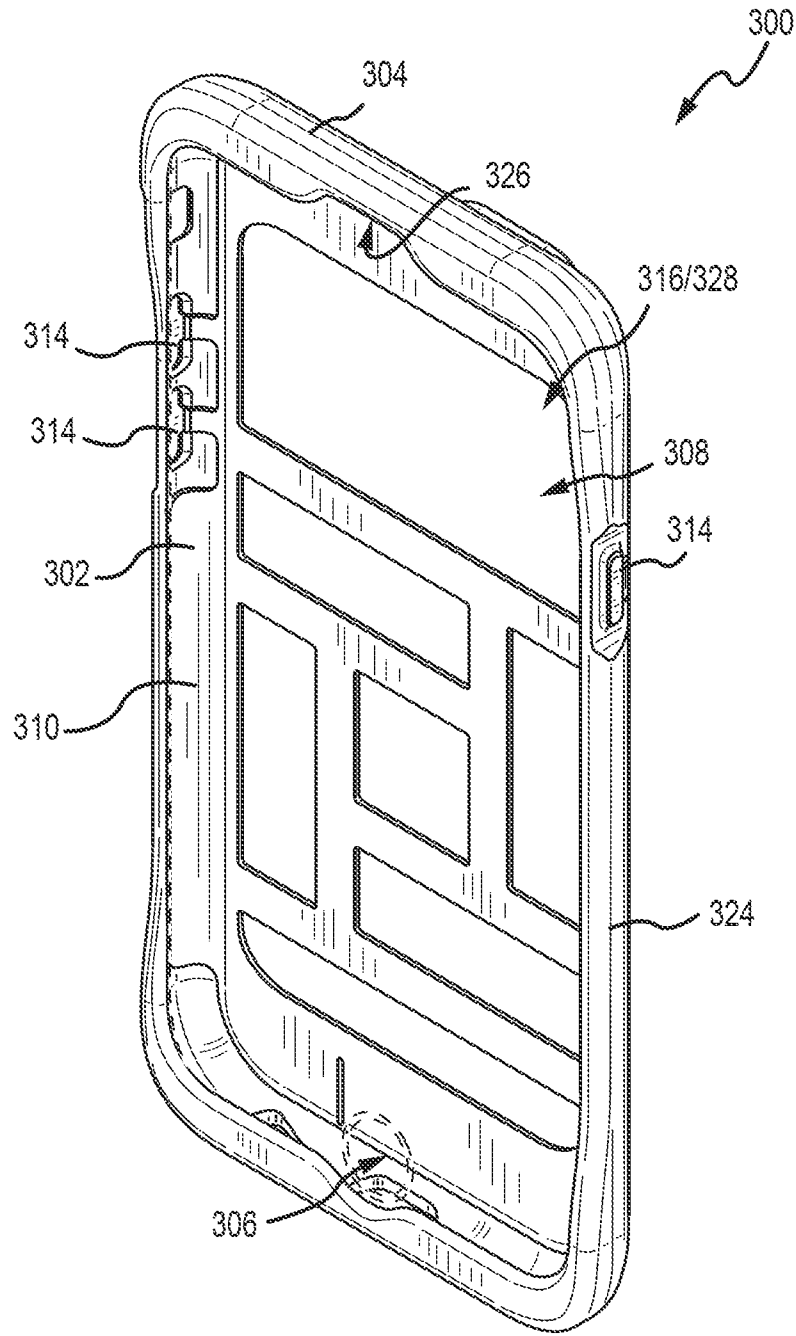
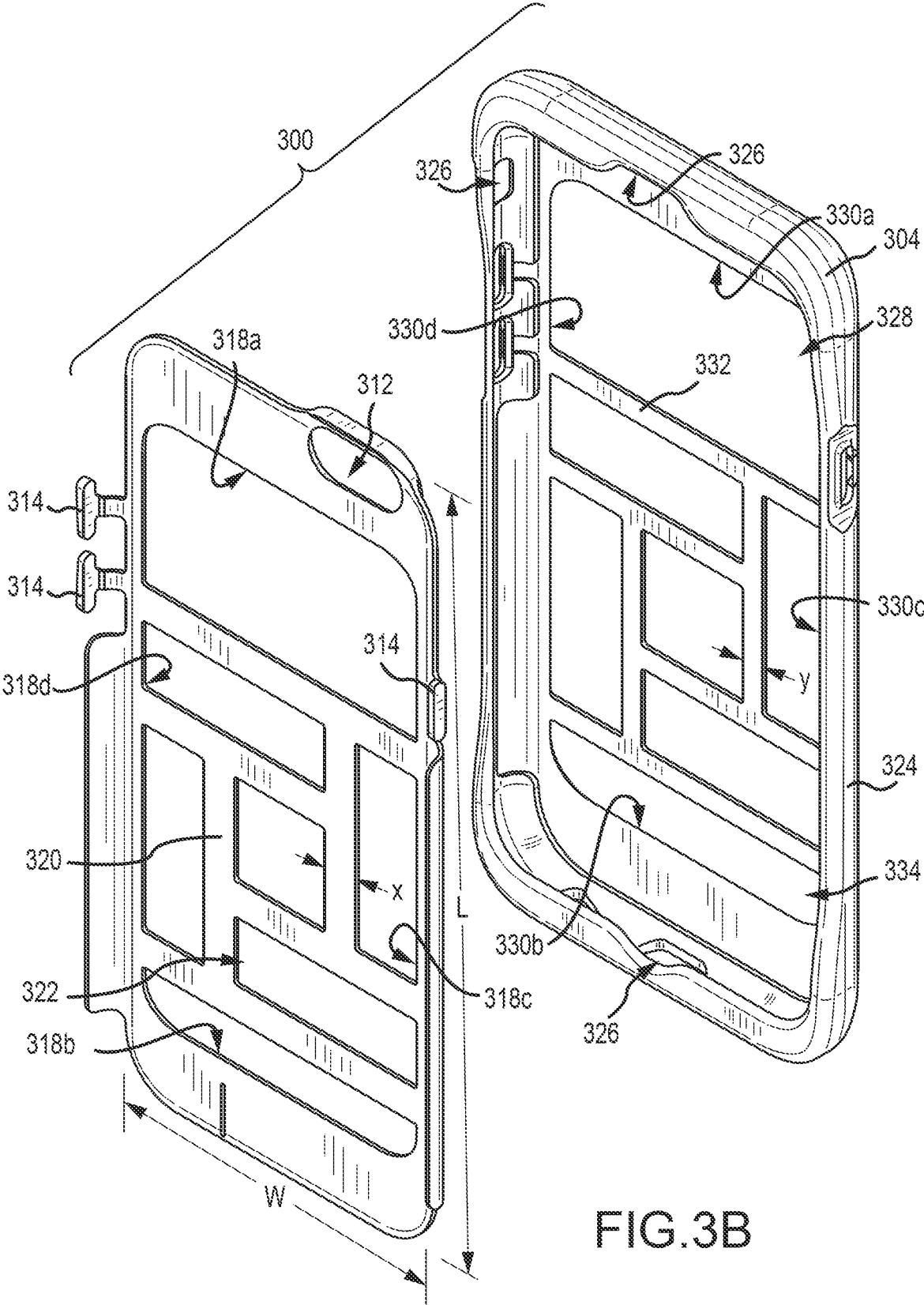


FIG.3A



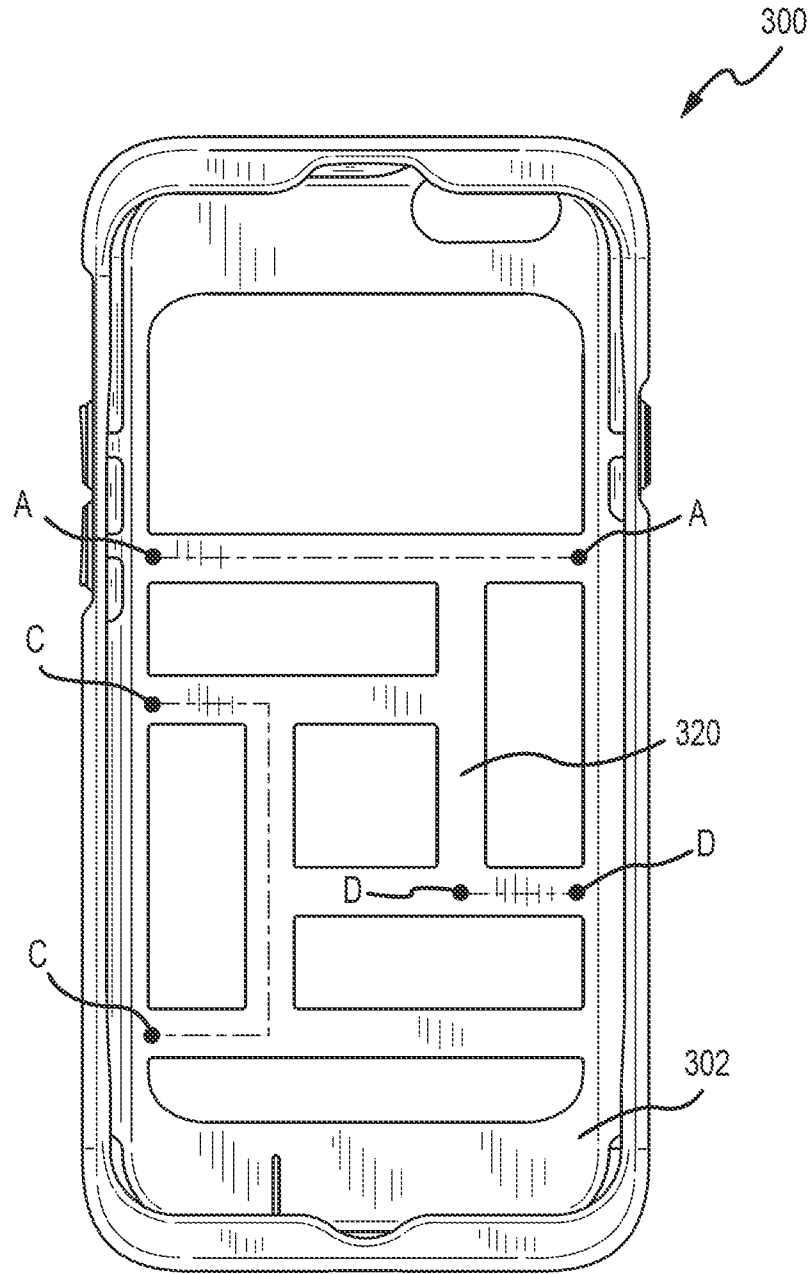


FIG.3C

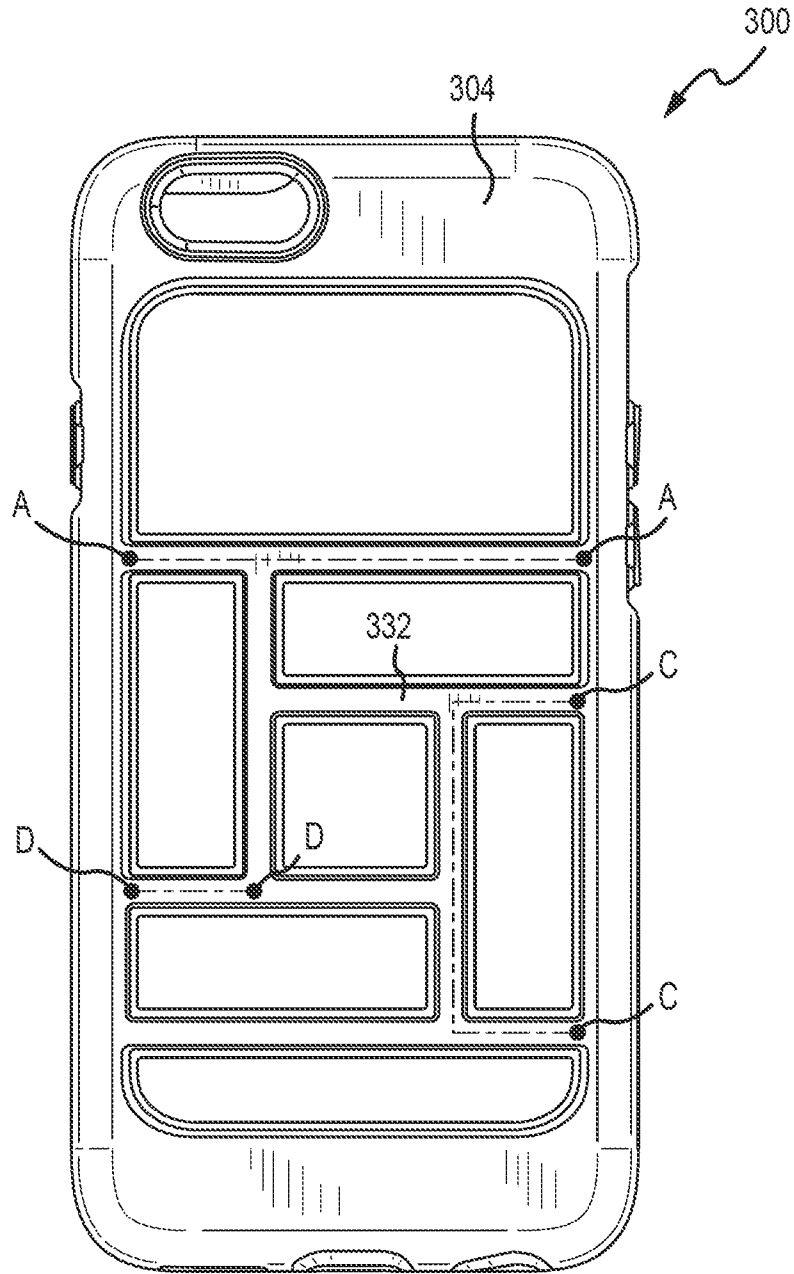


FIG.3D

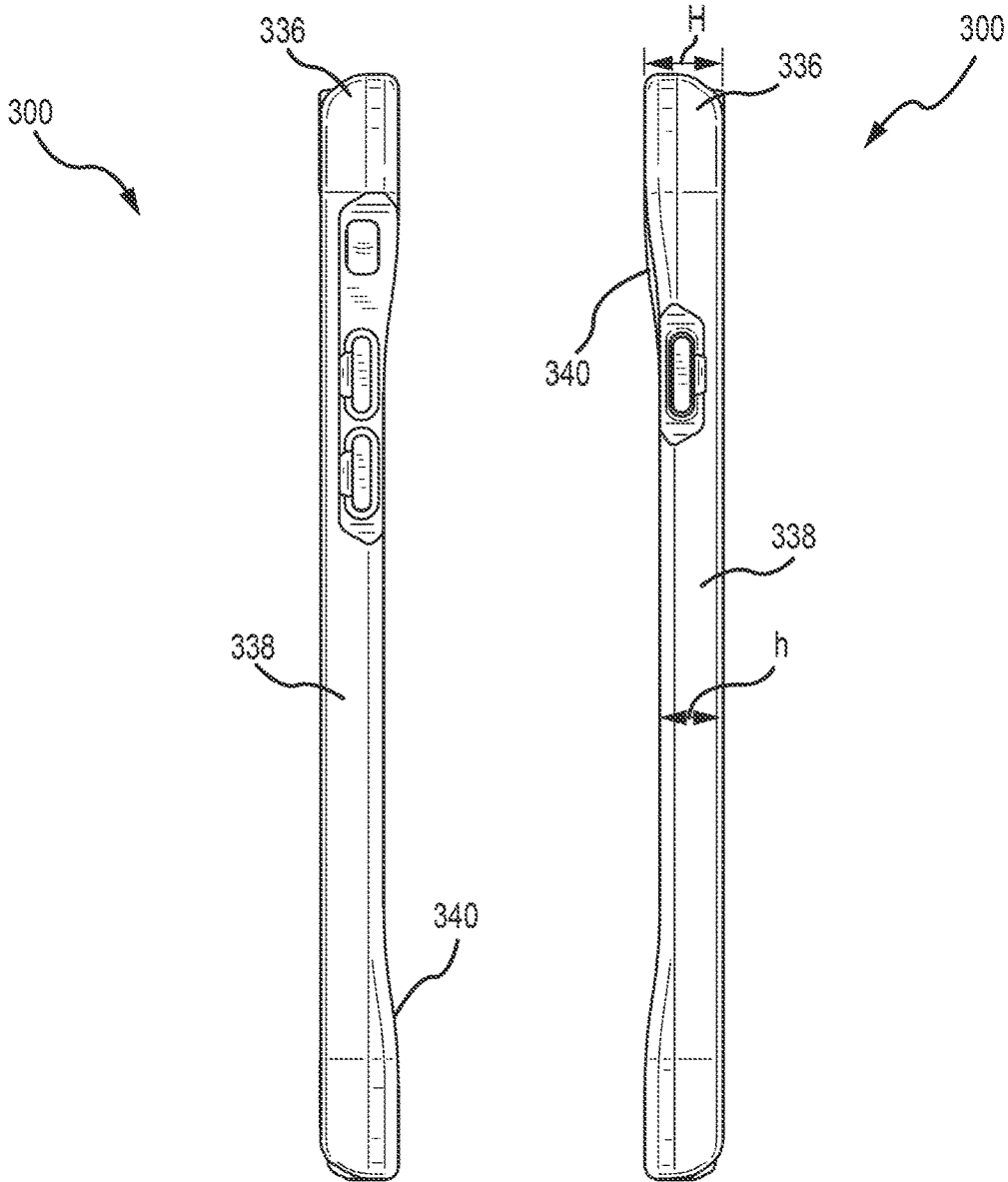


FIG. 3E

FIG. 3F

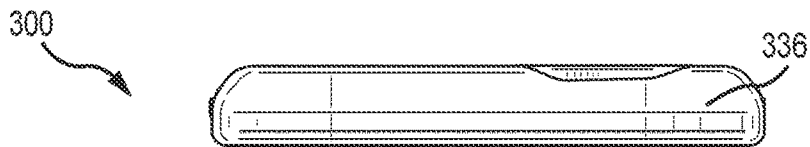


FIG. 3G

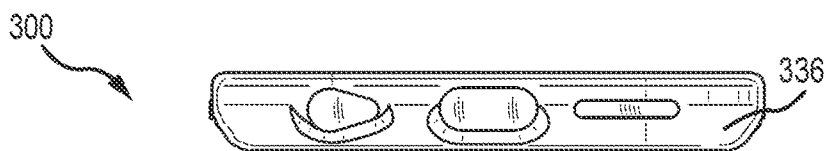


FIG. 3H

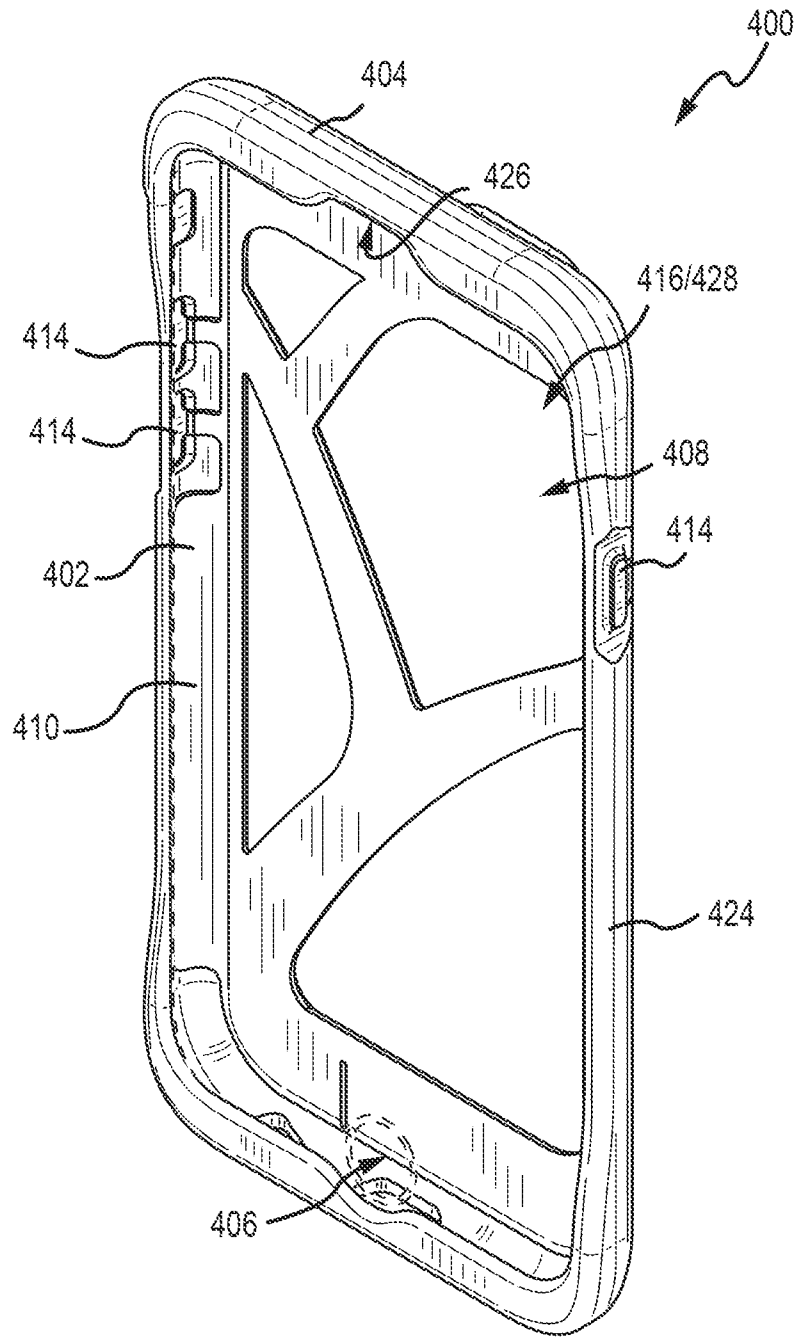
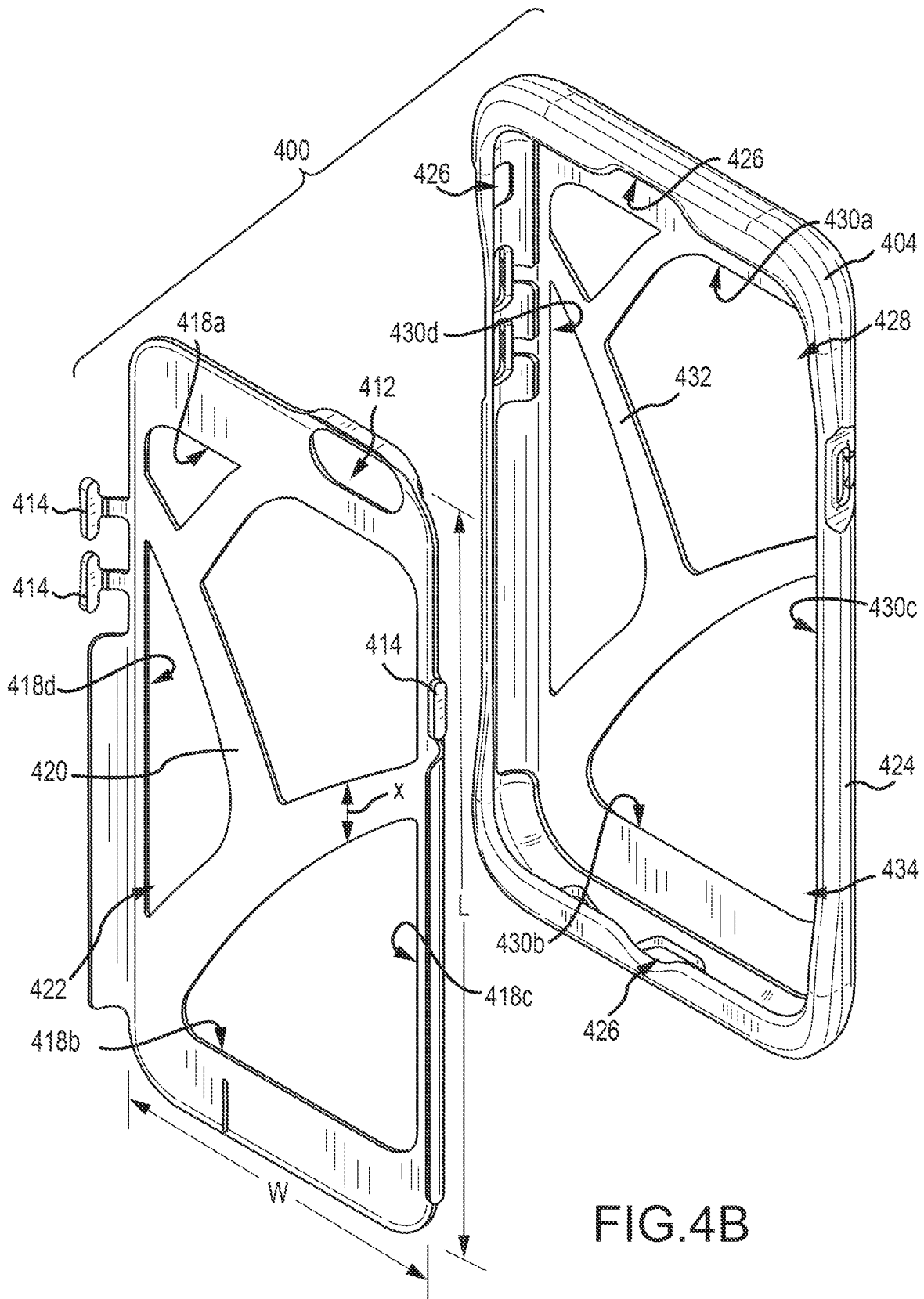


FIG. 4A



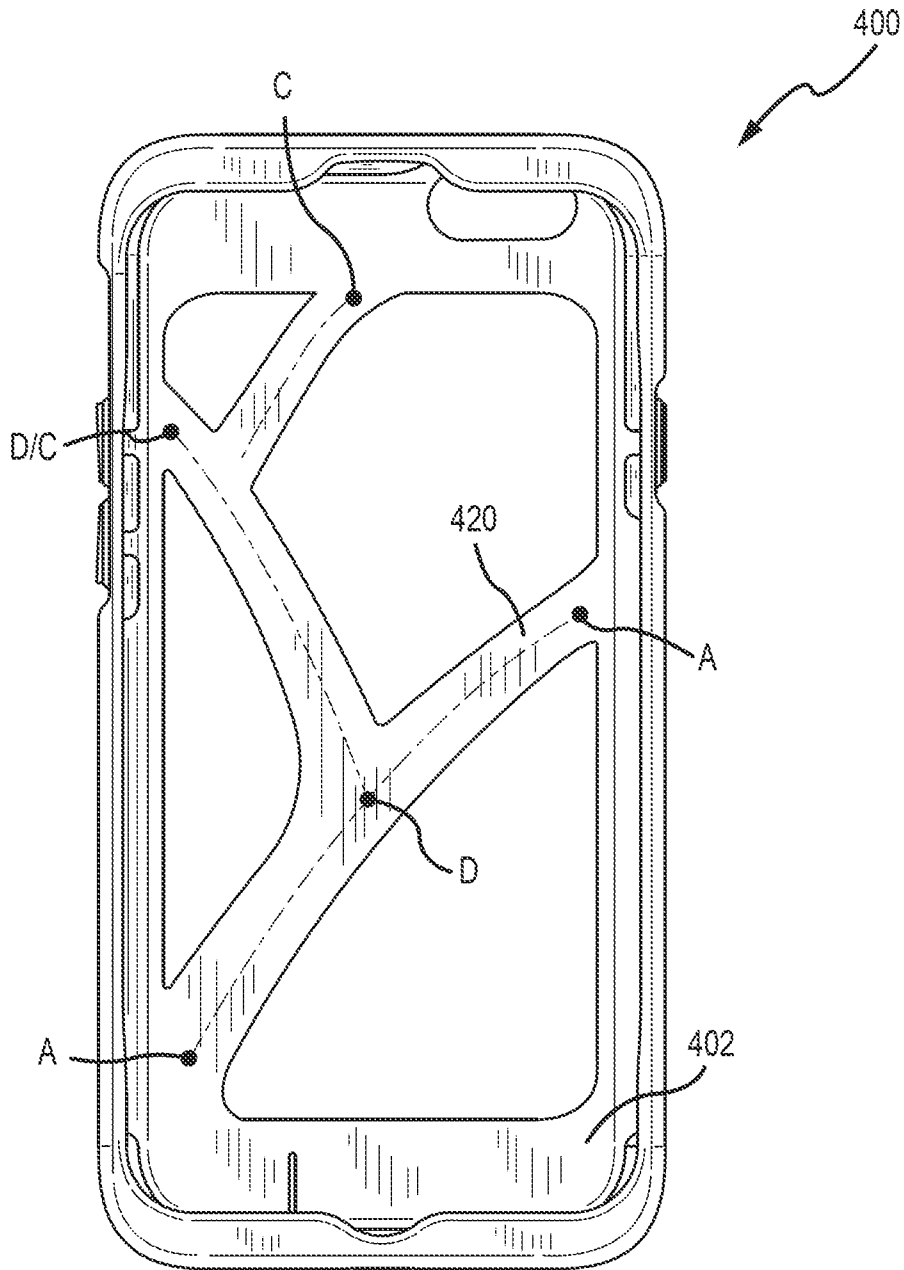


FIG. 4C

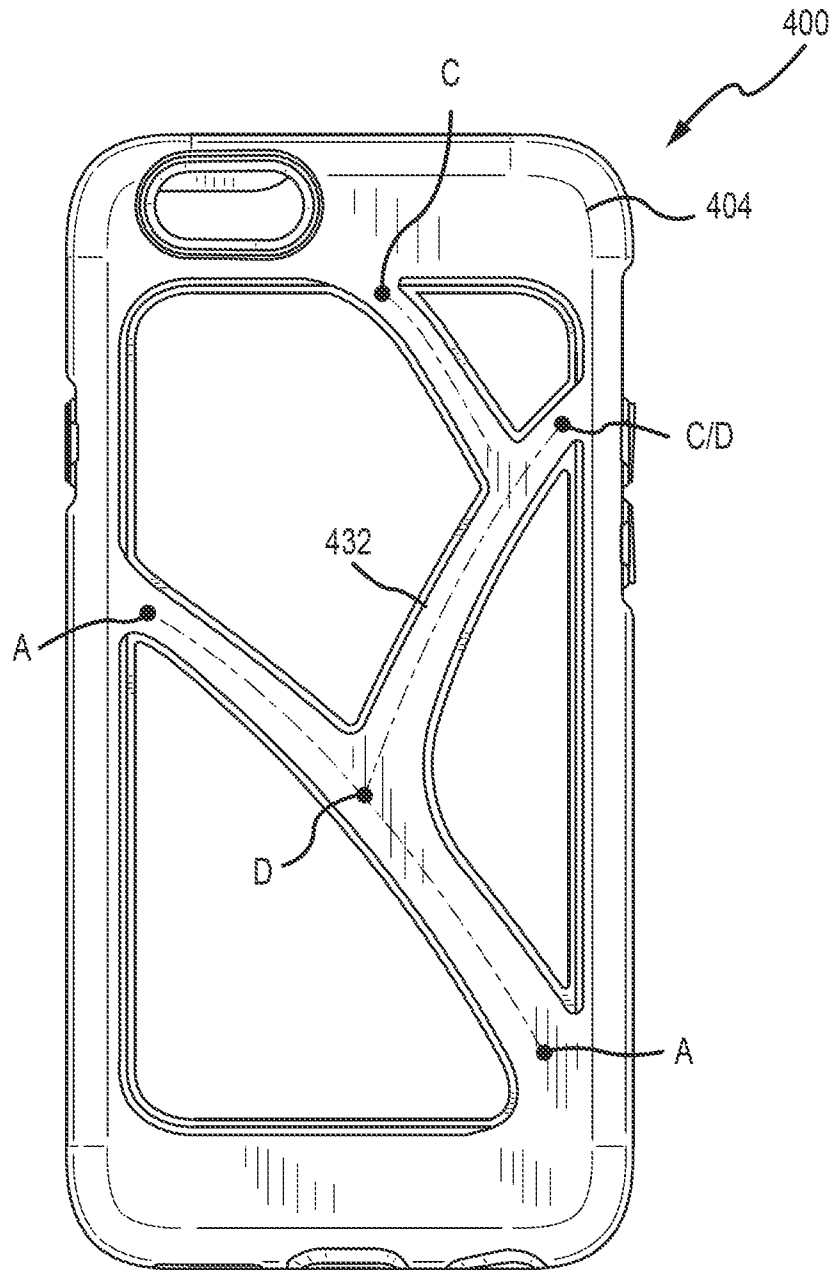


FIG.4D

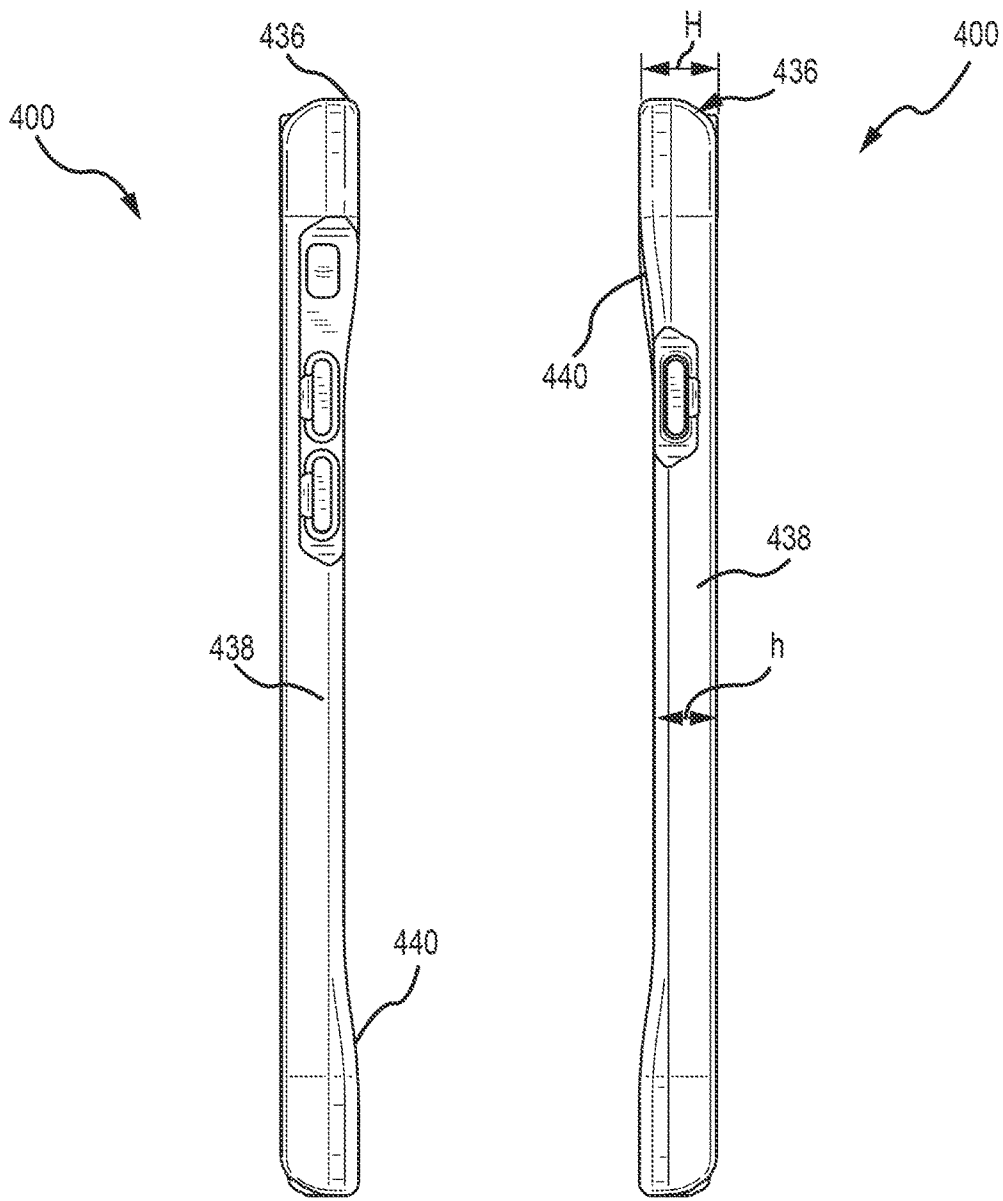


FIG. 4E

FIG. 4F

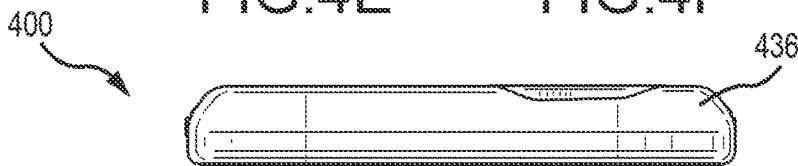


FIG. 4G

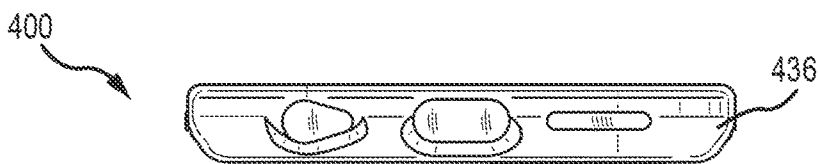


FIG. 4H

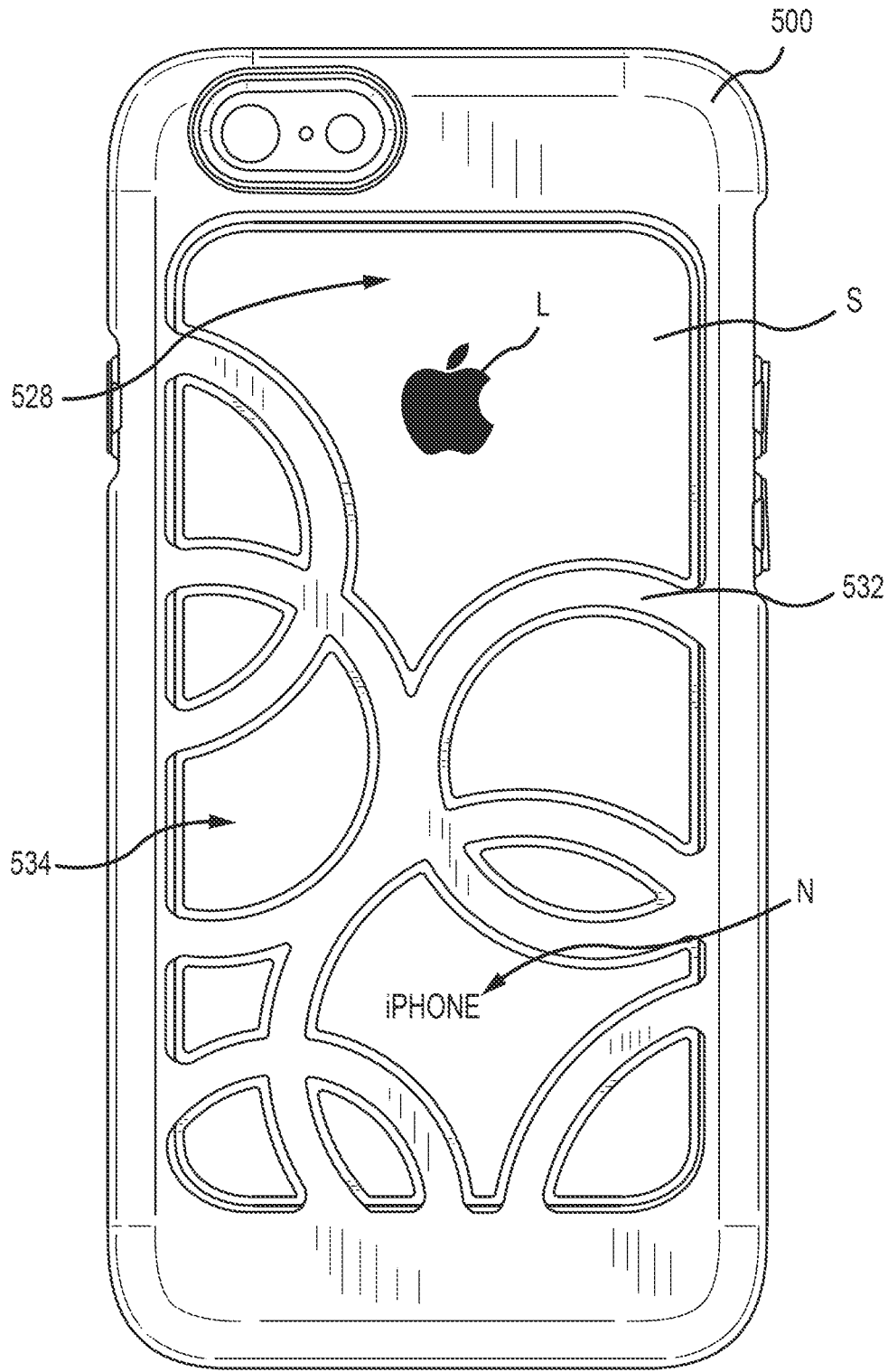


FIG.5

PROTECTIVE CASE FOR PORTABLE ELECTRONIC DEVICE

CROSS-REFERENCE TO RELATED APPLICATIONS

The present application is a continuation of U.S. patent application Ser. No. 15/291,985, filed on Oct. 12, 2016, which is a continuation of U.S. patent application Ser. No. 15/043,227, filed on Feb. 12, 2016, which issued as U.S. Pat. No. 9,480,319 on Nov. 1, 2016, which is a continuation of U.S. patent application Ser. No. 14/632,927, filed on Feb. 26, 2015, which issued as U.S. Pat. No. 9,300,768 on Mar. 29, 2016, the entire disclosures of which are hereby incorporated by reference.

INTRODUCTION

Smartphones, tablets, personal digital assistants and other electronic devices are somewhat fragile. The housings and electronics located therein can be damaged by dropping, while screens can be scratched when placed face-down on a surface. A variety of protective cases that substantially surround the device are available. These cases, however, are often bulky, unsightly, and can limit access to the device screen or control buttons.

SUMMARY OF THE INVENTION

In one aspect, the technology relates to a case for an electronic device, the case having: a rigid layer including a plurality of turned edges; and a resilient layer disposed primarily on a first side of the rigid layer, wherein the resilient layer includes a plurality of enveloping edges that substantially envelop the turned edges. In an embodiment, the rigid layer defines a central opening and further includes a plurality of rigid bridges at least partially spanning the central opening, wherein each of the plurality of rigid bridges include a rigid bridge width; and the resilient layer defines a central window and further includes a plurality of resilient bridges at least partially spanning the central window and substantially aligned with each of the plurality of rigid bridges, wherein each of the plurality of resilient bridges include a resilient bridge width less than the rigid bridge width. In another embodiment, each of the plurality of rigid bridges and each of the plurality of resilient bridges define a shape including at least one of a straight bar, a curved bar, a curvilinear bar, a substantially circular bar, a wave bar, and an ellipsoidal bar. In yet another embodiment, at least one of the plurality of rigid bridges extends between opposing edges of the central opening. In still another embodiment, at least one of the plurality of rigid bridges extends between adjacent edges of the central opening.

In another embodiment of the above aspect, at least one of the plurality of rigid bridges extends between a single edge of the central opening. In an embodiment, a first rigid bridge of the plurality of rigid bridges extends from a first edge of the central opening to a second rigid bridge of the plurality of rigid bridges. In another embodiment, the resilient layer includes: two short outer edges, each having a first height; and two long outer edges having lengths greater than the two short outer edges, wherein each of the two long outer edges has a second height less than the first height. In yet another embodiment, the resilient layer defines a taper from the first height to the second height. In still another embodiment, the resilient layer defines a step from the first height to the second height.

In another embodiment of the above aspect, includes a rigid tab extending therefrom, and wherein the resilient layer defines an aperture substantially aligned with at least a portion of the tab. In an embodiment, the portion of the tab includes an enlarged portion. In another embodiment, the enlarged portion includes an enlarged portion axis and wherein the aperture defines an aperture plane, and wherein the enlarged portion axis is misaligned from the aperture plane. In yet another embodiment, the rigid layer is at least one of ABS, PVC, polyethylene, silicone, and thermoplastic elastomer. In still another embodiment, the resilient layer includes at least one of silicone, rubber, and thermoplastic elastomer. In another embodiment, the rigid layer is rigid relative to the resilient layer.

In another aspect, the technology relates to A protective case for an iPhone 6 smartphone, wherein the protective case defines a plurality of gaps on a surface of the protective case, wherein at least one of a logo and a word is visible through at least one of the plurality of gaps.

BRIEF DESCRIPTION OF THE DRAWINGS

There are shown in the drawings, embodiments which are presently preferred, it being understood, however, that the technology is not limited to the precise arrangements and instrumentalities shown.

FIG. 1A is a perspective view of a protective case for an electronic device in accordance with one embodiment of the technology.

FIG. 1B is an exploded perspective view of the protective case of FIG. 1A.

FIGS. 1C-1H are various views of the protective case of FIG. 1A.

FIG. 2 is an enlarged partial side view of the protective case of FIG. 1A.

FIGS. 3A-3H are various views of a protective case for an electronic device in accordance with another embodiment of the technology.

FIGS. 4A-4H are various views of a protective case for an electronic device in accordance with another embodiment of the technology.

FIG. 5 is a rear view of an iPhone 6 smartphone disposed in a protective case.

DETAILED DESCRIPTION

FIGS. 1A-1H are various view of a protective case **100** for an electronic device in accordance with one embodiment of the technology. FIGS. 1A-1H are described simultaneously and not all components or parts described herein are necessarily identified in every figure. The protective case **100** includes two layers, an inner rigid layer **102** or structure and an outer resilient layer **104** or shell. The case **100** is configured to substantially surround a smartphone, tablet, personal digital assistant, or other electronic device. An edge of the smartphone, and a lower, central button **106** thereof are depicted in dashed lines in FIG. 1A. For clarity, however, the protective cases described herein will be described in the context of a smartphone such as an iPhone 6. Thus, the term "inner" refers to the layer that is generally closest to the smartphone. The term "outer" generally refers to the layer that is disposed on the opposite side of the inner layer from the smartphone. The inner layer **102** and outer layer **104** may form a completed unitary part and may be bonded with adhesive so as to prevent separation between the two layers. In an alternative embodiment, one of the layers (i.e., the inner layer **102**) may first be formed through known injec-

tion molding processes, then placed in a mold for the outer layer **104**, which is then formed along with the inner layer **102** into a single unitary part, where the two layers are bonded due to an interaction between the materials of the two layers.

The inner layer **102** is formed of a generally rigid plastic such as ABS, PVC, polyethylene, silicone, thermoplastic elastomer (TPE), or other like plastics. Other materials, including metals such as titanium or aluminum may also be utilized. The inner layer **102** is configured to protect the smartphone when placed in the receiver **108** of the case **100** by effectively forming an exoskeleton to absorb and distribute impacts along the inner layer **102**. Since the inner layer **102** is at least partially deformed during insertion of the smartphone into the receiver **108**, materials that are elastically deformable without breaking may be desirable.

The outer layer **104** is formed of a generally resilient material such as silicone, rubber, and TPE. As used herein, the terms “rigid” and “resilient” describe material properties of the two layers relative to each other. That is, the rigid material utilized in the inner layer **102** is generally more rigid than the resilient material used in the outer layer **104**. Thus, the outer layer **104** and the inner layer **102** may be manufactured of the general type of material, but due to manufacturing techniques, use of additives, etc., the materials of the layers may display different properties. The outer layer **104** is configured to cushion the smartphone and therefore dampen shocks and strikes that may occur when the smartphone is dropped or otherwise strikes a hard surface such as a floor or sidewalk. Additionally, the outer layer **104** may be manufactured of a material or coated with a layer that resists scuffing. The relative softness of the outer layer **104** prevents the smartphone from sliding on smooth surfaces, such as tables, automobile dashboards, etc. Resistance to sliding also helps reduce the likelihood of damage to the smartphone, since the device is less likely to slide off a surface when acted upon by an external force, such as a stray elbow or a curious pet. Additionally, the resilient outer layer **104** helps ensure the smartphone may be gripped more easily.

The inner rigid layer **102** or structure is generally planar and includes a number of turned or curved outer edges **110**. In the depicted embodiment, the turned edges **110** are disposed along the lengths *L* of the inner layer **102**, although the turned edges **110** may alternatively or additionally be disposed along the width *W* of the inner layer **102**. The turned edges **110** may provide support for the outer layer **104** proximate a lower side edge of the outer layer **104**. Generally, the curvature of the turned edges **110** is configured to match the contours of the smartphone received in the receiver **108**. The inner layer **102** may define one or more openings **112**, recesses, apertures, or contours that leave uncovered elements of the smartphone such as the speaker, microphone, camera, charging port, audio jack, screen, buttons, etc. In other embodiments, such as that depicted, the inner layer **102** includes a number of tabs **114** integral therewith. The tabs **114** extend from the inner layer **102** and include a portion that is configured to be substantially aligned with one or more buttons disposed on the smartphone. The tabs **114** are configured so as to be elastically deformable such that a user of the device can actuate the associated button without having to remove the protective case **100**. Further functionality of the tabs **114** is described in more detail below.

The inner layer **102** defines a central opening **116** that exposes a substantial portion of the received smartphone. The central opening **116** is defined by a plurality of edges

118. In the depicted embodiment, a top edge **118a** is substantially unbroken while the bottom **118b**, right **118c**, and left **118d** edges are broken by the intersection of one or more bridges **120**. The bridges **120** at least partially span the central opening **116** and may be arranged for both decorative and functional purposes. The bridges **120** preserve rigidity of the inner layer **102** and provide a protective feature throughout the inner layer **102**. The thickness of the bridges **120** also helps limit scratches to the back surface of the smartphone. The bridges **120** may be configured, sized, and arranged so as to leave a substantial portion of the rear surface of the smartphone exposed, so as to leave visible logos, labels, or other marks on the smartphone, via gaps **122** between the bridges **120**. The gaps **122** result in a reduced amount of inner layer material required, which reduces product weight and material costs, while the bridges **120** still provide protection as described above. Additionally, the gaps **122** may aid in dissipation of heat generated by the device.

The bridges **120** define a bridge width *X* and may be formed in any number of shapes and sizes. For example, shapes such as straight bars, curved bars, curvilinear bars, substantially circular bars, wave-shaped bars, ellipsoidal bars, or other configurations may be utilized. In the depicted embodiment, curved bars are primarily utilized. A number of different configurations of bridges **120** that completely or partially span the central opening **116** are depicted in the figures. For example, bridge **120** defined by path A-A spans the central opening **116** from a first edge to an opposing edge thereof. The bridge **120** defined by path B-B spans the central opening **116** from a first edge to an adjacent edge thereof. The bridge **120** defined by path C-C spans the central opening **116** from a first location to a second location on a single edge of the central opening **116**. Additionally, the bridge **120** defined by path D-D spans the central opening **116** from an edge of the central opening **116** to a second bridge **120** disposed within the central opening **116**. Other bridge configurations are depicted further herein and still others are contemplated.

The outer resilient layer **104** or shell includes enveloping edges **124** that substantially surround or envelop the turned edges **110** of the inner layer **102**. The enveloping edges **124** also envelope at least a portion of the smartphone received in the receiver **108**, which allows the smartphone to be held in place within the receiver. In the depicted embodiment, the enveloping edges **124** are larger at the top and bottom edges of the smartphone. Generally, the curvature of the enveloping edges **124** is configured to match the contours of the smartphone received in the receiver **108**. The outer layer **104** may define one or more openings **126**, recesses, apertures, or contours that leave uncovered elements of the smartphone such as the speaker, microphone, camera, charging port, audio jack, screen, buttons, etc. In general, these openings **126**, etc., are substantially aligned with corresponding openings **112** in the inner layer **102**. Certain of these openings **126** are aligned with portions of the tabs **114** described above, leaving these tabs **114** accessible for actuation by a user of the device. Further structural relationships between the tabs **114** and associated openings **126** are described below.

Similar to the inner layer **102**, the outer layer **104** also defines a central window **128** that exposes a substantial portion of the received smartphone. The central window **128** is defined by a plurality of edges **130**. In the depicted embodiment, a top edge **130a** is substantially unbroken while the bottom **130b**, right **130c**, and left **130d** edges are

broken by the intersection of one or more bridges **132**. The bridges **132** at least partially span the central window **128** and may be arranged for both decorative and functional purposes. The bridges **132** provide cushioning for the smartphone. The thickness of the bridges **132** also helps limit scratches to the back surface of the smartphone. The bridges **132** may be configured, sized, and arranged so as to leave a substantial portion of the rear surface of the smartphone exposed, so as to leave visible logos, labels, or other marks on the smartphone, via gaps **134** between the bridges **132**. The gaps **134** result in a reduced amount of outer layer material required, which reduces product weight and material costs, while the bridges **132** still provide protection as described above. Additionally, the bridges **132** are substantially aligned with an associated bridge formed on the inner layer **104**. The gaps **122** may also aid in dissipation of heat generated by the device.

The width Y of the bridges **132** formed as part of the resilient outer layer **104** may be slightly narrower or less wide than the bridges **120** formed as part of the inner layer **102**. Similarly, the edges **130** of the central window **128** may be slightly larger than those of the central opening **116** defined by the inner layer **102**. These differences in width allow the inner layer **102** to be slightly visible beyond the outer layer **104**, for aesthetic and other purposes. Bridge **132** shapes such as straight bars, curved bars, curvilinear bars, substantially circular bars, wave-shaped bars, ellipsoidal bars, or other configurations may be utilized. In the depicted embodiment, curved bars are primarily utilized. A number of different configurations of bridges **132** that completely or partially span the central opening are depicted in the figures. For example, bridge **132** defined by path A-A spans the central window **128** from a first edge to an opposing edge thereof. The bridge **132** defined by path B-B spans the central window **128** from a first edge to an adjacent edge thereof. The bridge **132** defined by path C-C spans the central window **128** from a first location to a second location on a single edge of the central window **128**. Additionally, the bridge **132** defined by path D-D spans the central window **128** from an edge of the central window **128** to a second bridge **132** disposed within the central window **128**. Other bridge configurations are depicted further herein and still others are contemplated.

The outer layer **104** is further configured to protect the screen of the smartphone while increasing accessibility thereto. In the depicted embodiment, the outer resilient layer **104** has different heights at different portions about its perimeter. For example, the portions **136** of the outer layer **104** at the short outer edges of the smartphone (e.g., the upper and lower edges) have a height H that is greater than the portions **138** of the outer layer **104** proximate the longer outer edges of the smartphone (e.g., the side edges), which have a height h . The increased height H at the upper and lower portions **136** allow the smartphone display to be raised from a surface when placed face-down thereon. This helps prevent scratches to the display. Additionally, the reduced height h at the side portions **138** allows the screen to be completely accessed by the user, for finger-swiping, icon selection, and other actions. Additionally, screens that extend very close to the side edges of the smartphone may be completely visible due to the reduced height h of the outer layer **104** at the side portions **138**. In certain embodiments, the height h of the outer layer **104** is flush with the display of the smartphone. The transition **140** between the higher top/bottom height H and the lower side height h may be a smooth transition, as depicted, or a step.

FIG. 2 is an enlarged partial side view of the protective case **100** of FIG. 1A. In this view, the tabs **114** of the inner layer are depicted, as well as openings **126** of the outer layer **104** that substantially surrounds the tabs **114**. Enlarged portions of the depicted tabs **114** are aligned with two buttons on the smartphone that control volume (one button is configured to increase volume, while the other button is configured to decrease volume). As can be seen, openings **126** defined by the outer layer **104** substantially surround the tabs **114**. The perimeters of the openings **126** substantially form a plane identified by P . The enlarged portions of the tabs **114** define an axis and are pitched at an angle α relative to the plane P . The pitch may be due to difference thickness of the enlarged portion along the axis, or the enlarged portion may be of a consistent thickness, but pitched. This pitch or misalignment gives the user the tactile feel of a rocker switch, allowing the user to more easily identify which button is which, and actuate the buttons appropriately. Unlike covers that cover smartphone buttons with a resilient layer, it has been discovered that a more rigid tab over a smartphone button more easily actuates that button.

FIGS. 3A-3H are various views of a protective case **300** for an electronic device in accordance with another embodiment of the technology. The protective case **300** depicted in these figures includes features substantially similar to the previously-presented embodiment, with regard to materials, layer configurations, tabs, etc. Accordingly, the components of this case **300** are identified by numbers similar to those utilized in FIGS. 1A-1H, above, but are not necessarily described further. The bridges **320/332** in these figures, however, are in the form of substantially straight bars. A number of different configurations of bridges **320** that completely or partially span the central opening **316** are depicted in the figures. For example, bridge **320** defined by path A-A spans the central opening **316** from a first edge to an opposing edge thereof. The bridge **320** defined by path C-C spans the central opening **316** from a first location to a second location on a single edge of the central opening **316**. Additionally, the bridge **320** defined by path D-D spans the central opening **316** from an edge of the central opening to a second bridge **320** disposed within the central opening **316**.

FIGS. 4A-4H are various views of a protective case **400** for an electronic device in accordance with another embodiment of the technology. The protective case **400** depicted in these figures includes features substantially similar to the previously-presented embodiments, with regard to materials, layer configurations, tabs, etc. Accordingly, the components of this case **400** are identified by numbers similar to those utilized in FIGS. 1A-1H, above, but are not necessarily described further. The bridges **420** in these figures, however, are in the form of curvilinear bars that have a varied width across their lengths. A number of different configurations of bridges **420** that completely or partially span the central opening **416** are depicted in the figures. For example, bridge **420** defined by path A-A spans the central opening **416** from a first edge to an opposing edge thereof. The bridge **420** defined by path B-B spans the central opening **416** from a first edge to an adjacent edge thereof. The bridge **420** defined by path C-C spans the central opening **416** from a first location to a second location on a single edge of the central opening **416**. Additionally, the bridge **420** defined by path D-D spans the central opening **416** from an edge of the central opening **416** to a second bridge **420** disposed within the central opening **416**.

FIG. 5 is a rear view of an iPhone 6 smartphone **S** disposed in a protective case **500**. As described in more

detail above, the case **500** includes a number of bridges **532** that span a central window **528** of the case **500**. Between the bridges **532**, a number of gaps **534** are defined. In the depicted embodiment, the gaps **534** are configured and arranged so as leave both the Apple™ logo L and iPhone™ name N visible. This visibility can help preserve brand recognition in the eye of the consumer.

While there have been described herein what are to be considered exemplary and preferred embodiments of the present technology, other modifications of the technology will become apparent to those skilled in the art from the teachings herein. The particular methods of manufacture and geometries disclosed herein are exemplary in nature and are not to be considered limiting. It is therefore desired to be secured in the appended claims all such modifications as fall within the spirit and scope of the technology. Accordingly, what is desired to be secured by Letters Patent is the technology as defined and differentiated in the following claims, and all equivalents.

What is claimed:

1. A case for an electronic device, the case comprising: a first panel having at least four edges; a first, second, third and fourth corner at each intersection of the at least four edges; at least an upper and a lower of the at least four edges comprising a first height; the first, second, third and fourth corner comprising a second height at least as high as the first height; and wherein at least a portion of the first and second side edges comprising a third height less than the first height and the second height and transitions from the second height to the third height; wherein the third height of the first and second side edges continuously spans the entire distance between the transitions.
2. The case of claim 1, wherein the transitions in height between the third height and the second heights defines a taper.
3. The case of claim 1, wherein the transitions in height between the third height and the second heights defines a step.
4. The case of claim 1 further comprising at least one resilient layer disposed over at least a portion of the first panel of the case.
5. A case for an electronic device comprising: a first panel and a plurality of edges that extend in a direction perpendicular to the first panel; the first panel comprising an opening to expose feature of the electronic device; the plurality of edges comprising a first pair of edges having an inner surface with a first height and a second pair of edges having an inner surface with a second height; wherein the second height is less than the first height; wherein the difference in heights between the first pair of edges and the second pair of edges is defined by a taper; wherein the heights of the second pair of edges are symmetrical; and wherein the second height of the second pair of edges continuously spans the entire distance between the tapers.
6. The case of claim 5, wherein the tapers are located along the inner surface of the second pair of edges.
7. The case of claim 5, further comprising at least a second opening to expose at least a second feature, wherein the at least a second feature is selected from the group consisting

of a speaker, a microphone, a camera, a charging port, an audio jack, a screen, a button, a tab and a logo.

8. The case of claim 5 further comprising at least one layer in addition to the first panel and the plurality of edges.

9. A case for an electronic device, the case comprising: a first panel having at least one opening and four edges to envelope at least a portion of the electronic device; a first pair of the four edges comprising an inner surface having a height equal to or greater than a height of the electronic device and a second pair of the four edges comprising an inner surface having different heights, wherein at least a portion of the second pair of edges has an inner surface having a height equivalent to the height of the first pair of edges and another portion having a height less than the height of the first pair of edges;

wherein the height profile of the at least a portion of the second pair of edges are symmetrical, and wherein the portion of the second pair of edges having a height less than the height of the first pair of edges is a single height that continuously spans the entire portion.

10. The case of claim 9, wherein the different heights of the second pair of edges define a taper.

11. The case of claim 9, wherein the difference in heights of the second pair of edges define a step.

12. The case of claim 9, wherein the difference in heights of the second pair of edges exposes at least a portion of the corresponding edges of the electronic device.

13. The case of claim 9, wherein the different heights of the second pair of edges exposes at least a portion of a screen associated with the electronic device.

14. The case of claim 9 further comprising at least one resilient layer in addition to the first panel.

15. The case of claim 9, further comprising at least one second opening, wherein the at least one second opening exposes a speaker, a microphone, a camera, a charging port, an audio jack, a screen, a button, a tab or a logo associated with the electronic device.

16. The case of claim 9, wherein the different heights of the second pair of edges permits a user to observe text or images along the corresponding edges of the electronic device.

17. A case for an electronic device comprising: a first panel having an opening and at least four edges; a first and second of the at least four edges comprising a first height;

a third and fourth of the at least four edges each comprising both a first height and a second height continuously spanning the distance between the first height of the third and fourth edges;

wherein the first height of the first, the second, the third and the fourth of the at least four edges is the same or greater than a height of the electronic device; and wherein the second height is less than the height of the electronic device, thereby exposing at least a portion of the corresponding edges of the electronic device.

18. The case of claim 17, wherein the third and fourth edges taper from the first height to the second height and taper from the second height to the first height along a length of the third and fourth edges, and wherein the second height is a single, continuous height.

19. The case of claim 18, wherein the third and fourth edges of the case correspond to edges along a major axis of the electronic device.

20. The case of claim 17, wherein the third and fourth edges step down from the first height to the second height

and step up from the second height to the first height along a length of the third and fourth edges.

21. The case of claim 17, further comprising at least a second opening, wherein the at least a second opening exposes a speaker, a microphone, a camera, a charging port, an audio jack, a screen, a button, a tab or a logo associated with the electronic device.

22. A case for an electronic device comprising: an outermost layer comprising a substantially planar surface and plurality of edges that extend in a direction substantially perpendicular to the substantially planar surface;

wherein the plurality of edges of the outermost layer comprise at least an upper edge, a lower edge, a first side edge and a second side edge opposite from the first side edge;

wherein the upper and lower edges each have a first height, and the first and second side edges each have both a first height and a second height, and wherein the second height of the first and second side edges is less than the first height;

wherein a height profile of the first and second side edges are symmetrical and wherein the second height of the first and second side edges is a single, continuous height.

23. The case of claim 22 further comprising at least one resilient layer, in addition to the outermost layer, and disposed over the outermost layer.

24. The case of claim 22, wherein the first and second side edges each define a first taper from the first height to the second height and a second taper from the second height to the first height, and wherein portions of the first and second side edges having the second height are located between the first taper and the second taper.

25. The case of claim 22, wherein the first and second side edges each define a step from the first height to the second height.

26. The case of claim 22, wherein the second height less than the first height of the first and second side edges exposes at least a portion of the electronic device.

27. A case for an electronic device, the case comprising: an outer casing having a planar back panel and four edge panels;

the four edge panels comprising different heights, wherein each of an upper and lower edge panels are positioned on opposite ends of the case and comprise a first height, and a first and second side edge panels are positioned on opposite ends of the case and comprise a second height less than the first height; and

wherein the first side edge panel has a symmetrical height profile to the second side edge panel, and wherein the second height is a single, continuous height.

28. The case of claim 27, wherein the different heights of the at least four edge panels defines a taper from the first height to the second height.

29. The case of claim 27, wherein the different heights of the at least four edge panels defines a step from the first height to the second height.

30. The case of claim 27, wherein the difference in height between the second height and the first height exposes at least a portion of the corresponding edges of the electronic device.

31. The case of claim 27, wherein the second height of the first and second side edge panels exposes at least a portion of a screen of the electronic device placed within the case.

32. The case of claim 27 further comprising at least one resilient layer.

33. A case for an electronic device, the case comprising: an outer panel having at least four edge panels; a first, second, third and fourth corner at each intersection of the at least four edge panels;

at least an upper and a lower of the at least four edge panels comprising a first height;

the first, second, third and fourth corner comprising a second height at least as high as the first height;

wherein at least a portion of first and second side edge panels comprises a third height less than the first height and the second height;

wherein the different heights of the first side edge panel are symmetrical to the different heights of the second side edge panel; and

wherein the third height of the first and second side edge panels is a single height continuously spanning the at least a portion of the first and second side edge panels.

34. The case of claim 33, wherein the difference in height between the third height and the first and second heights defines a taper.

35. The case of claim 33, wherein the difference in height between the third height and the first and second heights defines a step.

36. The case of claim 33, wherein the third height being less than the first and second height exposes at least a portion of the first and second side edge panels of the electronic device placed within the case.

37. The case of claim 33, wherein the third height being less than the first and second height exposes at least a portion of a screen of the electronic device placed within the case.

38. The case of claim 33 further comprising at least one resilient layer disposed over at least a portion of the first side edge panel of the case.

39. The case of claim 33 further comprising at least one bridge at least partially spanning a centrally positioned opening.

* * * * *